

# CRX-10iA/L



Max. load capacity  
at wrist: 10 kg



Max. reach  
(end of flange):  
1418 mm

# FANUC

Robot			Max. load capacity at wrist (kg)	****Reach (mm)	Controlled axes	**Repeatability (mm)	Mechanical weight (kg)	Motion range (°)						*Maximum speed (°/s)		***Allowable Wrist Load			Protection		
Series	Version	Type						J1	J2	J3	J4	J5	J6	Collaborative Mode [mm/sec]	High Speed Mode [mm/sec]	J4 Moment/ Inertia	J5 Moment/ Inertia	J6 Moment/ Inertia	Input power source (VAC)	Body standard	Wrist & J3 arm
CRX	iA/L	10	10	1418	6	±0.04	40	360	360	540	380	360	380	1000	2000	34.8/ 1.28	26/ 0.9	11/ 0.3		100-120 200-240	IP67

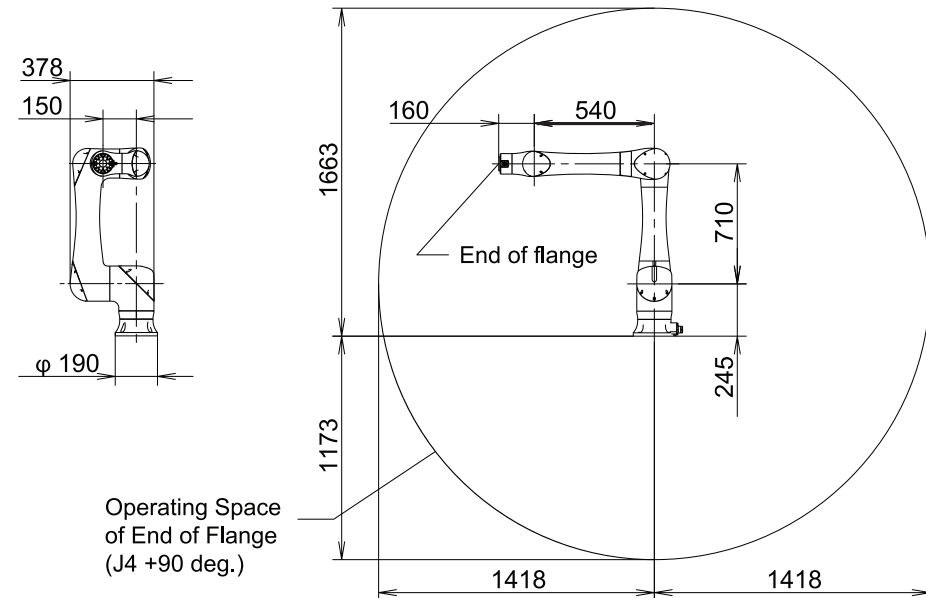
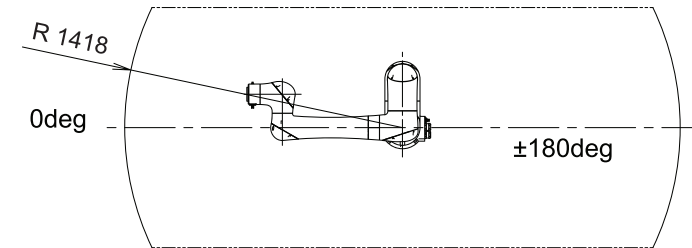
● standard ○ on request - not available \* During short distance, it may not reach the maximum value stated. Please set motion speed according to risk assessment of system. \*\* Based on ISO9283 \*\*\*Nm/Kg.m<sup>2</sup> \*\*\*\*At the end of flange

## CRX-10iA/L Food-Grade Variant

Long arm model, NSF H1 food-grade grease,  
White USDA compliant epoxy coating



CRX-10iA/L



Operating Space  
of End of Flange  
(J4 +90 deg.)